



<i>Title:</i> NEON User Guide to Soil physical and chemical properties, distributed initial characterization (DP1.10047.001)	<i>Date:</i> 01/25/2023
<i>Author:</i> Samantha Weintraub-Leff	<i>Revision:</i> E

NEON USER GUIDE TO SOIL PHYSICAL AND CHEMICAL PROPERTIES, DISTRIBUTED INITIAL CHARACTERIZATION (DP1.10047.001)

PREPARED BY	ORGANIZATION
Samantha Weintraub-Leff	TOS
Lee Stanish	TOS



<i>Title:</i> NEON User Guide to Soil physical and chemical properties, distributed initial characterization (DP1.10047.001)	<i>Date:</i> 01/25/2023
<i>Author:</i> Samantha Weintraub-Leff	<i>Revision:</i> E

CHANGE RECORD

REVISION	DATE	DESCRIPTION OF CHANGE
A	02/19/2018	Initial Release
B	08/30/2019	Additional theory and method details provided, especially for bulk density
C	07/01/2020	Additional method clarifications, plus details on the combined delivery of physical and chemical measurements
C.1	03/30/2021	Added link to Initial Characterization Soil Archive webpage in Associated Data Streams section
D	03/16/2022	Updated section 4.3 Data Revision with latest information regarding data release
E	1/25/2023	Update section 3.3.2 Theory of Geochemical measurement to clarify precision and heterogeneity. Update section 3.7 Associated Data Streams to remove reference to document no longer available.



<i>Title:</i> NEON User Guide to Soil physical and chemical properties, distributed initial characterization (DP1.10047.001)	<i>Date:</i> 01/25/2023
<i>Author:</i> Samantha Weintraub-Leff	<i>Revision:</i> E

TABLE OF CONTENTS

1	DESCRIPTION	1
1.1	Purpose	1
1.2	Scope	1
2	RELATED DOCUMENTS AND ACRONYMS	2
2.1	Associated Documents	2
3	DATA PRODUCT DESCRIPTION	3
3.1	Spatial Sampling Design	3
3.2	Temporal Sampling Design	5
3.3	Theory of Measurement	5
3.3.1	Bulk Density	6
3.3.2	Geochemical measurements	6
3.4	Variables Reported	7
3.5	Spatial Resolution and Extent	7
3.6	Temporal Resolution and Extent	10
3.7	Associated Data Streams	10
3.8	Product Instances	10
3.9	Data Relationships	11
3.10	Special Considerations	11
4	DATA QUALITY	12
4.1	Data Entry Constraint and Validation	12
4.2	Automated Data Processing Steps	12
4.3	Data Revision	12
4.4	Quality Flagging	12
4.5	Analytical Facility Data Quality	13

LIST OF TABLES AND FIGURES

Figure 1	Representation of a NEON site with select Tower and Distributed plots shown	4
Figure 2	Representation of a NEON base plot used for soil initial characterization sampling . .	5
Figure 3	Diagram showing the locations of reference corners and an example calculation of sample location using distance and bearing measurements.	9

1 DESCRIPTION

1.1 Purpose

This document provides an overview of the data included in this NEON Level 1 data product, the quality controlled products generated from raw Level 0 data, and associated metadata. In the NEON data products framework, the raw data collected in the field - for example, the depth of a soil horizon - are considered the lowest level (Level 0). Raw data that have been quality checked via the steps detailed herein, as well as simple metrics that emerge from the raw data, are considered Level 1 data products.

The text herein provides a discussion of measurement theory and implementation, data product provenance, quality assurance and control methods used, and approximations and/or assumptions made during L1 data creation.

1.2 Scope

This document describes the steps needed to generate the L1 data product Soil physical and chemical properties, distributed initial characterization (DP1.10047.001). This includes soil profile descriptions as well as bulk density, particle size (texture) measurement, coarse fragment content, and a wide array of geochemical constituents. This document provides details relevant to the publication of the data product via the NEON data portal, with additional detail available in the files NEON Data Variables for Soil physical and chemical properties, distributed initial characterization (DP1.10047.001) (AD[05]) and NEON Categorical Codes for Soil physical and chemical properties, distributed initial characterization (AD[06]), provided in the download package for this data product.

This document describes the process for ingesting and performing automated quality assurance and control procedures on soil physical and chemical property data produced during initial soil characterization efforts. How the Level 0 data are processed is detailed in the file, NEON Raw Data Validation for Soil chemical and physical properties (distributed initial characterization), Level 0 (AD[04]), provided in the download package for this data product. Please note that raw data products (denoted by 'DP0') may not always have the same numbers (e.g., '10033') as the corresponding L1 data product.

2 RELATED DOCUMENTS AND ACRONYMS

2.1 Associated Documents

AD[01]	NEON.DOC.000001	NEON Observatory Design (NOD) Requirements
AD[02]	NEON.DOC.000913	TOS Science Design for Spatial Sampling
AD[03]	NEON.DOC.002652	NEON Data Products Catalog
AD[04]	Available with data download	NEON Raw Data Validation for Soil chemical and physical properties (distributed initial characterization), Level 0
AD[05]	Available with data download	NEON Data Variables for Soil physical and chemical properties, distributed initial characterization (DP1.10047.001)
AD[06]	Available with data download	NEON Categorical Codes for Soil physical and chemical properties, distributed initial characterization
AD[07]	NEON.DOC.000906	TOS Science Design for Terrestrial Biogeochemistry
AD[08]	NEON.DOC.000008	NEON Acronym List
AD[09]	NEON.DOC.000243	NEON Glossary of Terms
AD[10]	NEON.DOC.004825	NEON Algorithm Theoretical Basis Document: OS Generic Transitions
AD[11]	Available on NEON data portal	NEON Ingest Conversion Language Function Library
AD[12]	Available on NEON data portal	NEON Ingest Conversion Language

3 DATA PRODUCT DESCRIPTION

The Soil physical and chemical properties, distributed initial characterization data product provides information about soils measured during the course of an initial soil characterization effort at each NEON site. This effort was led by the Soil Science Division of the Natural Resources Conservation Service (NRCS), in partnership with the USDA Agriculture Research Service (ARS). The goals of the initial soil characterization effort were to describe the taxonomic, physical and geochemical properties of soils at each NEON site in locations where Terrestrial Observation System (TOS) sampling occurs. Moreover, the effort sought to capture the range of variability in soil characteristics, especially across Distributed base plots (Figure 1). The Guidelines for the NEON Soil Characterization Effort document contains more thorough descriptions of NRCS sampling procedures and can be downloaded from the [Neon Data Portal](#).

Initial characterization measurements of soil physical and chemical properties help to implement the guidelines and requirements described in the TOS Science Design for Terrestrial Biogeochemistry (AD[07]). Field and laboratory data are reported at the spatial resolution of a soil horizon within a NEON plot. The temporal resolution is that of a single collection date. As of 2020, physical and chemical properties are reported together and DP1.10008.001 is published as part of DP1.10047.001. Prior to this, the two types of measurements were reported in separate data downloads.

Measurements of soil physical and chemical properties from the initial characterization effort will help to reveal drivers of variation in belowground element storage and cycling, weathering dynamics, and soil development at plot, site, and continental scales. They may also prove useful in interpreting patterns of soil biogeochemical, microbial, and vegetation dynamics at NEON sites. The bulk density measurements included in this data product will be helpful for data users interested in converting distributed periodic measurements of soil carbon and nitrogen from concentrations to stocks.

3.1 Spatial Sampling Design

Soils were sampled at all terrestrial NEON sites. At each site, 10-34 base plots were sampled from up to 4 Tower and 30 Distributed plots (Figure 1). The number of plots varied for each NEON site and was determined by NRCS, drawing on their extensive expertise with soil characterization along with knowledge of site variability and number of soil map units present. Relief, landforms, slope position, parent materials, and aspect are important parameters used to ensure site heterogeneity was captured by initial soil characterization efforts. Some of the selected plots overlap with NEON periodic soil sampling plots. See AD[02] for further details on the overall NEON spatial design and the Guidelines for the NEON Soil Characterization Effort document for more information on initial soil characterization spatial sampling.

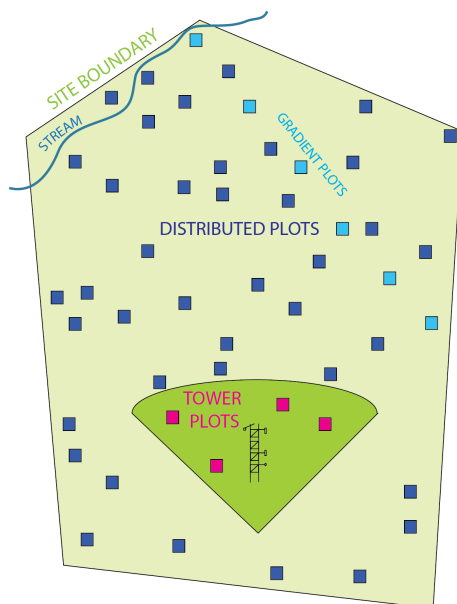


Figure 1: Representation of a NEON site with select Tower and Distributed plots shown

In most Distributed base plots, NRCS excavated a 1 m x 1 m x 1 m soil pit. In all Tower plots as well as sites where pit sampling was not permitted, NRCS used a bucket auger to collect several 10 cm diameter cores down to 1 m. Whenever possible, all cores were taken from within a 1 m x 1 m square. Soil pits or cores were only taken from the destructive 'BGC/microbes' outer perimeter sampling zone of TOS plots, with the inner core reserved for non-destructive vegetation monitoring (Figure 2). The precise sampling locations within a plot were recorded and removed from consideration for future TOS soil sampling to ensure that future biological and chemical measurements are not influenced by this disturbance.

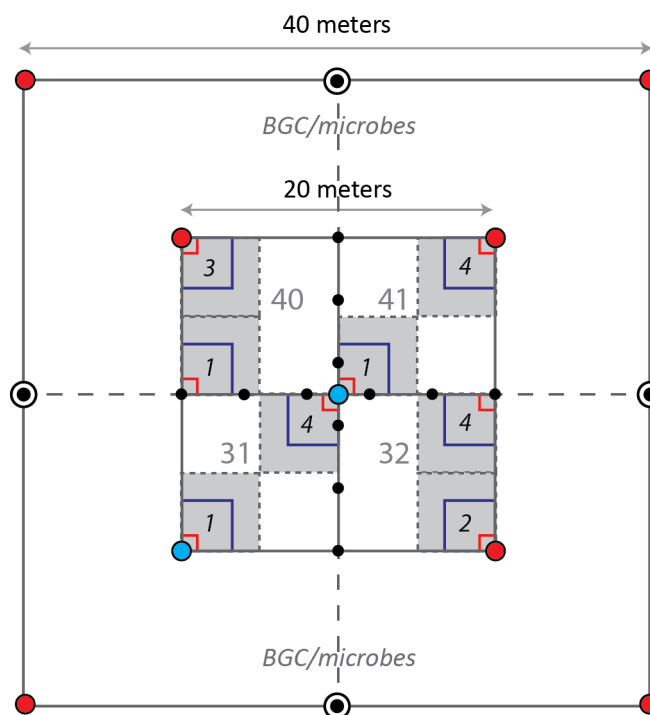


Figure 2: Representation of a NEON base plot used for soil initial characterization sampling

Upon excavating a pit or collecting cores, NRCS described the profile and all major horizons, visually estimated very coarse (> 20 mm fragment) volumes, collected bulk density samples where possible (most often by the clod method), and then collected enough material to conduct all laboratory analyses. Field sampling and profile descriptions followed the methods outlined in the NRCS Field Book for Describing and Sampling Soils, version 3.0, available at https://www.nrcs.usda.gov/Internet/FSE_DOCUMENTS/nrcs142p2_052523.pdf or as a PDF from the [Neon Data Portal](#).

3.2 Temporal Sampling Design

Soil physical and chemical properties from the initial characterization effort were measured once during the lifetime of each NEON site.

3.3 Theory of Measurement

All soils were sent to the Kellogg Soil Survey Laboratory (KSSL) in Lincoln, Nebraska for physical and geochemical analyses. Analysis methods follow standard operating procedures outlined in the Soil Survey Laboratory Methods Manual, Report No. 42, Version 5, 2014. This manual can be downloaded [here](#) and is also available as a PDF from the [Neon Data Portal](#). For each set of analyses, the specific method used by KSSL is recorded in the relevant data table, with enough information to identify that method in the KSSL manual. For example, `bulkDensMethod = Bulk Density, Clods (3B1)`.

3.3.1 Bulk Density

Bulk density (BD), or mass of soil per unit volume, is a critical measurement as it is used to convert element concentrations to stocks in the soil profile. The standard means by which NRCS measures BD is the clod method. In the `spc_bulkdensity` table, two different BD values are reported for clods: 1/3 bar (`bulkDensThirdBar`), which is essentially at field capacity, and oven dry (`bulkDensOvenDry`). The sample has a maximum density when it is oven-dry (since the volume shrinks), conversely the sample has a minimum density at 1/3 bar as the volume expands. For clayey soils, there can be significant difference between the two BD values, but sandy soils have little shrink-swell thus the two measurements tend to be similar. The NRCS views 1/3 bar as an excellent standard moisture content, and for most applications users will wish to use the 1/3 bar values for their calculations.

In some situations, obtaining an undisturbed clod was not possible. This includes soils with very high coarse fragment content, sandy materials, saturated conditions, pervasive woody roots, and high concentrations of organic material. Where clods could not be obtained, NRCS attempted to use other BD methods, such as compliant cavity or field cores. These method variations are recorded in the data. For non-clod methods, bulk density is reported on field-moist soil (`bulkDensFieldMoist`).

Regardless of the BD method used, it is important to account for *horizon* coarse fragment content when estimating element stocks, since the BD values are reported on a < 2 mm basis (e.g., 'soil'). In order to adjust for coarse fragments 2-20 mm in size, the variables `coarseFrag2To5` and `coarseFrag5To20`, measured in grams per kilogram and reported in the `spc_particlesize` table, should be summed, then converted to % by multiplying by 0.1. Given the size of the NRCS pits, coarse fragment measurements are accurate for 2-20 mm fragments. If fragments > 20 mm occur in the soil, the volume estimates documented in site-specific pedon descriptions can be converted to weight values and horizon fragment content adjusted accordingly. This is a more involved adjustment, but may be necessary on colluvial mountain settings and cobbly glacial soils.

Lastly, many of the initial characterization horizons (roughly 1/3) do not have associated bulk density measurements. The reasons for this are diverse. In some areas, including Tower plots and several entire sites, NRCS could not dig pits but had to take 10 cm diameter cores. In these cases, no intact soil volume could be obtained, thus no bulk density measurement was possible. In other instances, soil bulk density samples were collected but then lost or destroyed during transport or analysis. For users requiring a BD estimate for horizons where it is missing, the chemical and physical data provided may be used to estimate BD values using pedo-transfer functions. The literature contains many papers discussing different approaches for this - for instance, see Heuscher et al (2005), Tranter et al (2007), Martin et al (2009), Nemes et al (2010), and Sequiera et al (2014).

3.3.2 Geochemical measurements

For many elements, soil concentrations are reported using more than one extraction method. This is either because the different methods yield distinct insights about the soil geochemical environment, or certain methods are more or less appropriate in specific soil conditions. For example, iron is measured in extracts of citrate dithionate, ammonium oxalate, and potassium chloride. Each recovers a different iron pool that behaves differently in the soil and confers unique information about the weathering environment. The same is generally true for aluminum, manganese, and several other elements. In the case

of phosphorus, soils are measured with a combination of Mehlich III, Olsen, and Bray 1 methods. The different assays are more or less suitable depending on soil pH and other factors, but all three provide an index of soil available phosphorus. Consult the KSSL methods manual and the literature to decide which measurement types are most appropriate to answer specific research questions.

Some measurements are only made on specific kinds of soils. For example, electrical conductivity and soluble salts in a saturated paste are only measured on salt-affected soils. If an initial test suggests horizons have low conductance, they are considered non-salty and the analyses are not run. Similarly, calcium carbonate is only determined when pH > 6.95 and/or there is effervescence after treatment with 1 N HCl. Consult the KSSL methods manual for more details.

Each of the geochemical variables are reported to the precision deemed appropriate by KSSL, given instrument sensitivity, method detection limits, and other factors. Note that soils have variable composition at landscape scales, but also manifest significant heterogeneity at horizon/layer scales. Thus, the values reported in the NEON data are for a specific subsample from a given horizon in a soil pit.

3.4 Variables Reported

All variables reported from the laboratory (L0 data) are listed in the file, NEON Raw Data Validation for Soil chemical and physical properties (distributed initial characterization), Level 0 (AD[04]). All variables reported in the published data (L1 data) are provided separately in the file NEON Data Variables for Soil physical and chemical properties, distributed initial characterization (DP1.10047.001) (AD[05]).

Field names have been standardized with Darwin Core terms (<http://rs.tdwg.org/dwc/>; accessed 16 February 2014), the Global Biodiversity Information Facility vocabularies (<http://rs.gbif.org/vocabulary/gbif/>; accessed 16 February 2014), and the VegCore data dictionary (<https://projects.nceas.ucsb.edu/ncceas/projects/bien/wiki/VegCore>; accessed 16 February 2014), where applicable. NEON TOS spatial data employs the World Geodetic System 1984 (WGS84) for its fundamental reference datum and GEOID09 for its reference gravitational ellipsoid. Latitudes and longitudes are denoted in decimal notation to six decimal places, with longitudes indicated as negative west of the Greenwich meridian.

Some variables described in this document may be for NEON internal use only and will not appear in downloaded data.

3.5 Spatial Resolution and Extent

The finest resolution at which spatial data are reported is a unique soil pit location and horizon within a NEON plot.

horizonID (unique ID given to the individual soil horizon) → **pitID** (unique ID given to the individual soil pit) → **plotID** (ID of plot within site) → **siteID** (ID of NEON site) → **domainID** (ID of a NEON domain).

The basic spatial data included in the soil physical properties data download includes latitude, longitude, and elevation of the *centroid* of the plot where sampling occurred, plus associated uncertainty due to GPS error. The basic spatial data included in the soil chemistry data product is the location of the NEON plot. Shapefiles of all NEON Terrestrial Observation System plot locations can be found in the Document Library: <http://data.neonscience.org/documents>.

In the soil physical properties data product, if **referenceCorner**, **sampleDistance** and **sampleBearing** are provided, users will be able to calculate more precise geolocations of the soil pit using the following procedure:

1. Obtain easting and northing for the plot centroid. This can be accomplished either by using the `def.extr.geo.os` function in the `geoNEON` R package (<https://github.com/NEONScience/NEON-geolocation>), or using the NEON API (<http://data.neonscience.org/data-api>; e.g. http://data.neonscience.org/api/v0/locations/BART_001.basePlot.all) to query for easting (“locationUtmEasting”) and northing (“locationUtmNorthing”) of plot named locations.
2. Calculate northing of the reference corner by either subtracting or adding 10 or 20 meters from plot centroid northing, depending on the entry for **referenceCorner** (Figure 3).

For example, if **referenceCorner** = SW20,

$$referencecornernorthing = plotcentroidnorthing - 10m$$

If **referenceCorner** = NE40,

$$referencecornernorthing = plotcentroidnorthing + 20m$$

3. Calculate easting of the reference corner by either subtracting or adding 10 or 20 meters from plot centroid easting, depending on the choice in **referenceCorner**.

For example, if **referenceCorner** = SW20,

$$referencecornereasting = plotcentroideasting - 10m$$

If **referenceCorner** = NE40,

$$referencecornereasting = plotcentroideasting + 20m$$

4. Calculate northing and easting of the pit based on **sampleDistance** and **sampleBearing** using the following equations:

$$pitnorthing = referencecornernorthing + d * \sin \theta \quad (1)$$

and

$$piteasting = referencecorninereasting + d * \cos \theta \quad (2)$$

where, if **sampleBearing** < 90

$$\theta = 90 - sampleBearing \quad (3)$$

else

$$\theta = 450 - \text{sampleBearing} \quad (4)$$

and

$$d = \text{sampleDistance} \quad (5)$$

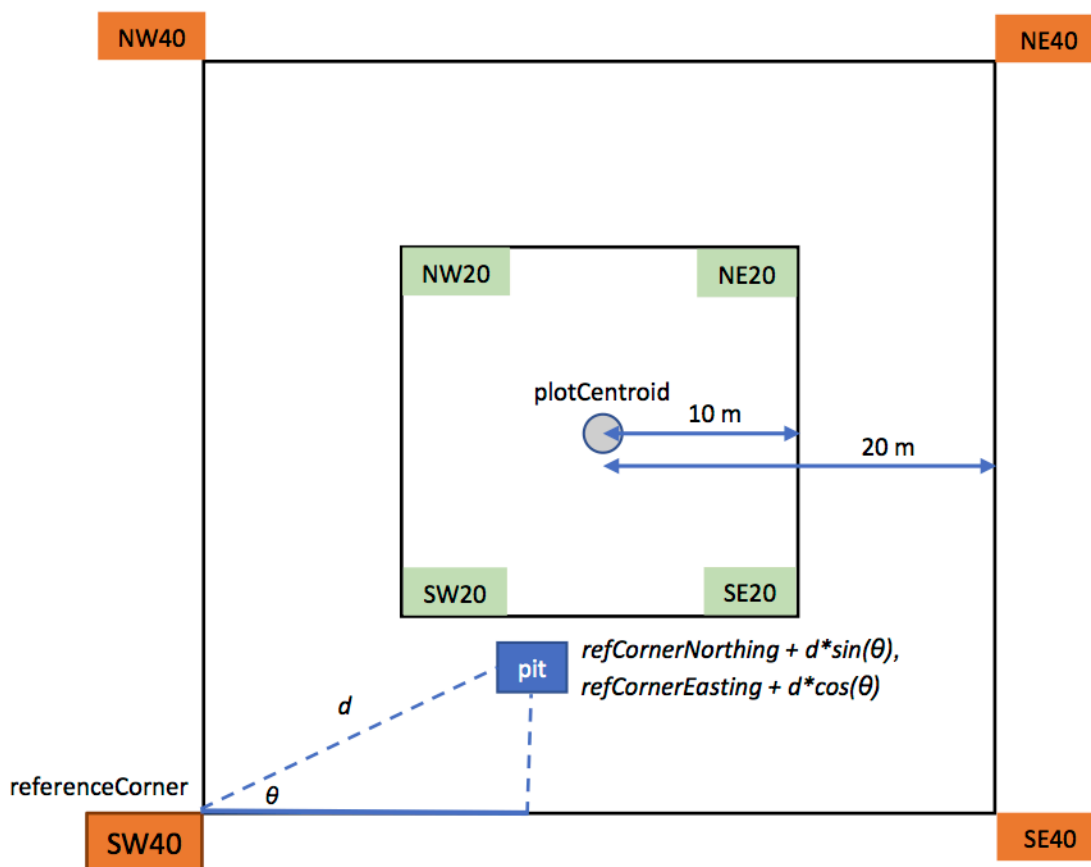


Figure 3: Diagram showing the locations of reference corners and an example calculation of sample location using distance and bearing measurements.

5. Increase **coordinateUncertainty** associated with the pit location by an appropriate amount (suggested 1 m) to account for error introduced by measurement and navigation within the plot.

3.6 Temporal Resolution and Extent

The finest resolution at which temporal data are reported is a **collectDate**. The total number of sampling events will be one per site for the lifetime of NEON.

The NEON Data Portal provides data in monthly files for query and download efficiency. Queries including any part of a month will return data from the entire month. For code resources to work with these files, see Data Relationships (3.9).

3.7 Associated Data Streams

This data product is self-contained, meaning that it contains all parent and child samples. Along with physical and chemical data, NRCS also provides the following:

- Site Level Plot Summaries. These are narrative summaries that place the sampled soils in the broader context of soils and geomorphology for the entire NEON site.
- Pedon descriptions. These are pit-level observations and field measurements and are reported using the standard NRCS format. They contain volume estimates for coarse fragments > 20 mm where applicable

Both forms of documentation are available on the NEON Data Portal, in the Document Library > Soil Characterization Summaries > Distributed Plots.

In addition, certain horizons had left-over soil material, which has been archived and is available upon request. See the [Megapit and Distributed Initial Characterization Soil Archives page](#) on the NEON website for information on how to request these samples. Previous requests and the data generated are described on that page; users are encouraged to see what has already been done and request access to or download publicly available auxiliary datasets to help address their research questions.

Users may wish to compare soil physical and chemical properties from the initial characterization effort to those measured in soil Megapits. The latter are reported as part of the Soil physical and chemical properties, Megapit (DP1.10096.001) data product.

3.8 Product Instances

At each NEON site, 10-26 base plots were sampled for initial soil taxonomic, physical and chemical properties. The most common sampling method was excavation of a single soil pit per plot, although collection of 1-6 cores (which were composited by horizon for characterization) was also possible. The composite of all core locations was treated as a 'pit' for this data product. The type of sampling method employed was recorded in the variable **soilSamplingMethod** in the table `spc_perplot`. Each pit was sampled by soil horizon and characterized for taxonomic, physical and chemical properties, including bulk density when possible. Pits had between 2-9 horizons, with 20-108 unique horizons measured for physical and chemical properties per site. Across the entire Observatory, approximately 3,300 horizons are recorded, with ~ 3,000 observations of soil biogeochemistry and particle size and ~ 2,000 observations of soil bulk density.

3.9 Data Relationships

Guidelines for the NEON Soil Characterization Effort dictate that each soil pit sampled yields a unique pitID in the spc_perplot table. A record from spc_perplot then has several child records, one for each horizon in the pit, in spc_perhorizon. Each horizon record from spc_perhorizon will then have zero, one, or two child records in spc_bulkdensity, spc_particlesize and spc_biogeochem. It is expected that horizon sample identifiers will appear a maximum of twice per table but generally once, yet duplicates and/or missing data may exist where protocol and/or data entry aberrations have occurred. *Users should check data carefully for anomalies before joining tables.*

spc_perplot.csv - > One record expected per **pitID**

spc_perhorizon.csv - > Multiple records expected per **pitID**, generates unique **horizonIDs** for each soil horizon in the pit

spc_bulkdensity.csv - > Zero or one records expected per **horizonID**, generates a single **bulkDensIDnracs** used to measure bulk density

spc_particlesize.csv - > Zero, one, or two records expected per **horizonID**, generates a **biogeolDnracs** used to measure particle size and coarse fragment (2-20 mm) content

spc_biogeochem.csv - > Zero, one, or two records expected per **horizonID**, generates a **biogeolDnracs** used to measure biogeochemical properties and (sample size permitting) an **archiveID** to preserve material for community use.

spc_externalSummary.csv - > One record expected per **laboratoryName** x **analyte** x **sampleType** x **lab-SpecificStartDate** combination. Can use corresponding variables in biogeochem table to associate sample data with relevant uncertainty values. Not all analytes will be reported.

Sample identifiers (**bulkDensIDnracs**, **biogeolDnracs**) will be generated for each collection event and sub-sample type within a sample. Only subsamples designated for archive will be retained (**archiveID); in all other cases the physical sample is discarded following analysis.

Data downloaded from the NEON Data Portal are provided in separate data files for each site and month requested. The neonUtilities R package contains functions to merge these files across sites and months into a single file for each table described above. The neonUtilities package is available from the Comprehensive R Archive Network (CRAN; <https://cran.r-project.org/web/packages/neonUtilities/index.html>) and can be installed using the install.packages() function in R. For instructions on using neonUtilities to merge NEON data files, see the Download and Explore NEON Data tutorial on the NEON website: <https://www.neonscience.org/download-explore-neon-data>

3.10 Special Considerations

NEON initial characterization pits were generally sampled to one meter depth. This precluded observations and assessment of soil properties and horizons at deeper depths. In some cases, this made accurate taxonomic classification and precise soil series placement difficult.

Rock horizons (R) are included in the data with variable bottom depths listed. This is because there is no NRCS national standard for entering the bottom depth of R horizons in pedons. As such, when a horizon is

identified as R, the bottom depth should be considered arbitrary and ignored, unless 1) there is a deeper horizon for that pedon or 2) the horizon has downstream data (e.g. a sample was collected and analyzed).

There are a few instances of split horizons in the Initial Characterization dataset. This occurs when a horizon is described as one but actually has characteristics of two and samples are split for processing according to the horizon designation. For example, a horizon characterized as A/B could have two different subsamples, one representing the A part of the horizon and the other representing the B part. In these instances, the horizonID will appear twice in downstream tables, with different data values for the different subsamples. Users will most likely wish to average the results together to get an estimate of physico-chemical properties for that horizon before proceeding with additional analyses.

4 DATA QUALITY

4.1 Data Entry Constraint and Validation

Constraints and data validation are implemented during the process of ingest into the NEON database. The product-specific data constraint and validation requirements built into data entry and database ingest are described in the document NEON Raw Data Validation for Soil chemical and physical properties (distributed initial characterization), Level 0, provided with every download of this data product. Contained within this file is a field named 'entryValidationRulesParser', which describes syntactically the validation rules for each field built into the data ingest process. Data entry constraints are described in NiCl syntax in the validation file provided with every data download, and the NiCl language is described in NEON's Ingest Conversion Language (NICL) specifications (AD[11]).

4.2 Automated Data Processing Steps

Following data entry into a mobile application or web user interface, the steps used to process the data through to publication on the NEON Data Portal are detailed in the NEON Algorithm Theoretical Basis Document: OS Generic Transitions (AD[10]).

4.3 Data Revision

All data are provisional until a numbered version is released. Annually, NEON releases a static version of all or almost all data products, annotated with digital object identifiers (DOIs). The first data Release was made in 2021. During the provisional period, QA/QC is an active process, as opposed to a discrete activity performed once, and records are updated on a rolling basis as a result of scheduled tests or feedback from data users. The Issue Log section of the data product landing page contains a history of major known errors and revisions.

4.4 Quality Flagging

The **dataQF** field in each data record is a quality flag for known errors applying to the record. There are currently no **dataQF** codes in use in this data product.



<i>Title:</i> NEON User Guide to Soil physical and chemical properties, distributed initial characterization (DP1.10047.001)	<i>Date:</i> 01/25/2023
<i>Author:</i> Samantha Weintraub-Leff	<i>Revision:</i> E

4.5 Analytical Facility Data Quality

Data in these products are subject to the standard analytical quality control procedures used by the NRCS, as documented in the Soil Survey Laboratory Methods Manual, Report No. 42, Version 5, 2014. Analyses conducted at the Lincoln Laboratory include standards run as unknowns alongside samples in order to gauge run acceptability. Long-term analytical precision and accuracy of these standard analyses are reported to allow users to interpret and model soil geochemical data in the context of its uncertainty range. The data table `spc_externalLabSummary` (available in the expanded package) contains the long-term accuracy and detection limits of lab analyses.

Analytical results below the detection limit of the method or instrument are reported as zero, equivalent to choosing 'Replace trace-and-dash notation with zero' when downloading data directly from the National Cooperative Soil Survey.